

SORTING

1. Sort And Count Fruits

All the fruits are mixed up. Sort them out by coloring the same fruit in a single color. Then count each type of fruit to find out how many there are, and write the number on the tag. **Teachers' tip:** Ask your pupil to cross out each fruit as they count.

The activity area contains 20 fruit illustrations: 7 apples, 5 pineapples, and 8 bananas. Three tags are provided for counting: the first tag has an apple, the second has a pineapple, and the third has a banana.

2. Color all the circles red, all the triangles blue, and all the squares green.

The activity area contains 18 geometric shapes: 5 circles, 5 triangles, and 8 squares.

a. How many circles did you color? _____

b. How many triangles did you color? _____

c. How many squares did you color? _____

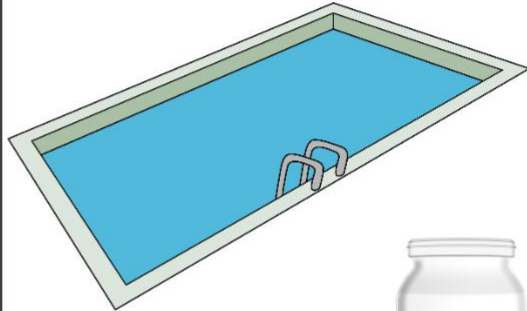
Circle the objects that can hold less



Circle the objects that can hold more.

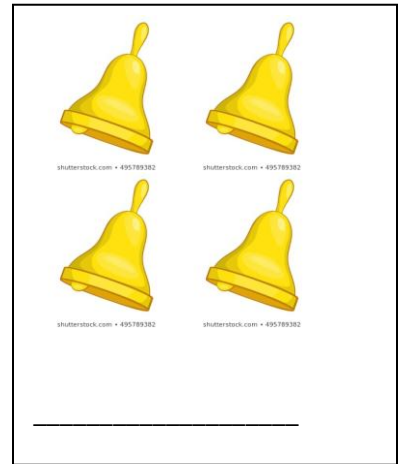


Circle the objects that can hold more.



3. Write down numbers 1-100

How many are they?



Draw objects.

20 cars

17 spoons

29 pencils

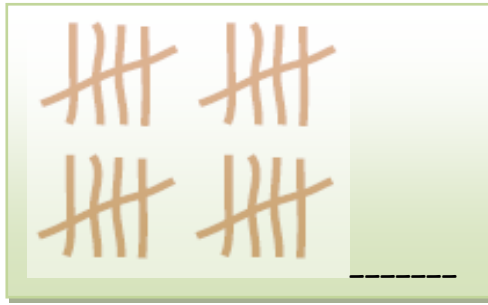
Fun with Numbers Crosswords

Find the message:

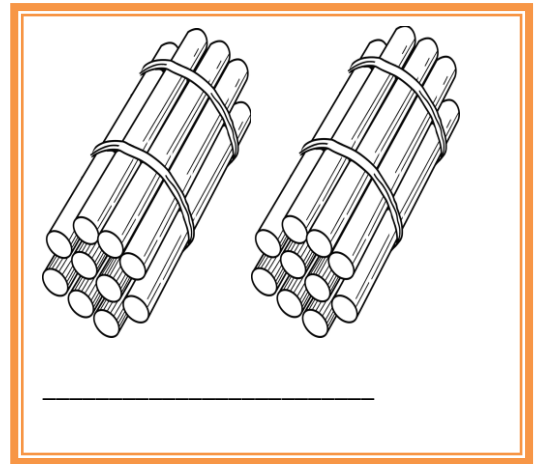
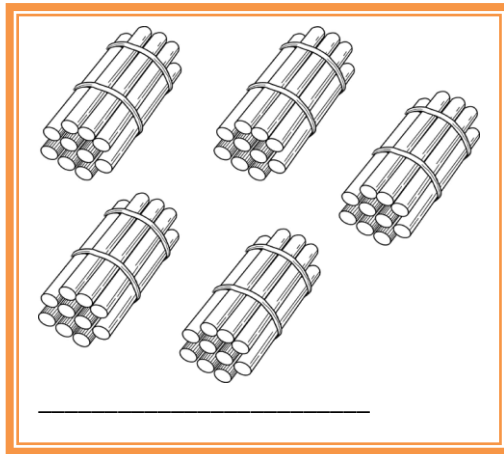
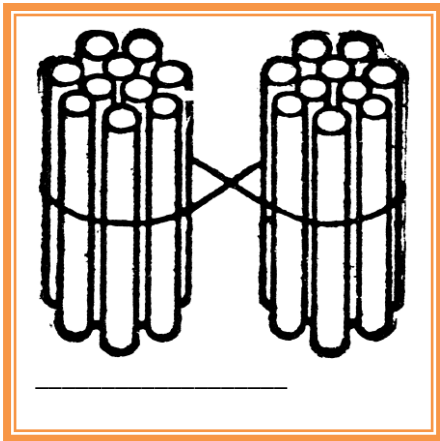
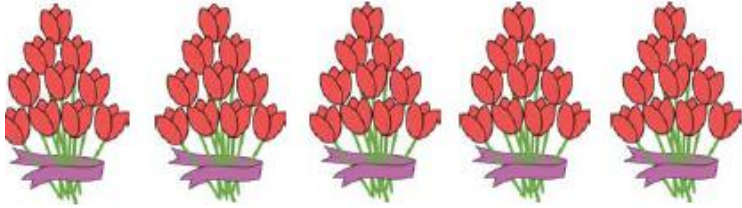
The crossword puzzle grid consists of the following numbers and their starting positions:

- 8: 1 row, 1 column
- 11: 2 row, 1 column
- 2: 3 row, 1 column
- 5: 4 row, 1 column
- 10: 5 row, 1 column
- 1: 6 row, 1 column
- 9: 7 row, 3 column
- 18: 8 row, 1 column
- 12: 9 row, 1 column
- 6: 10 row, 3 column
- 7: 11 row, 3 column
- 18: 12 row, 1 column

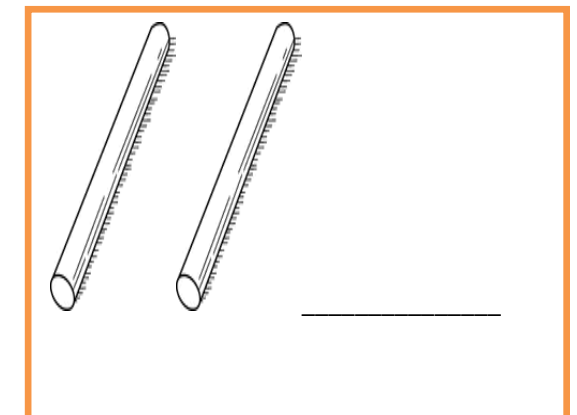
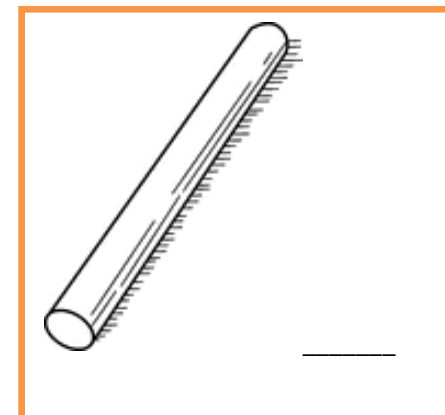
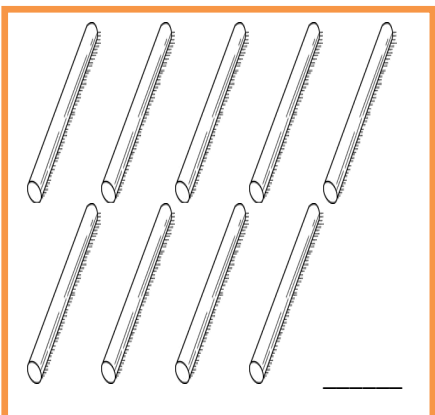
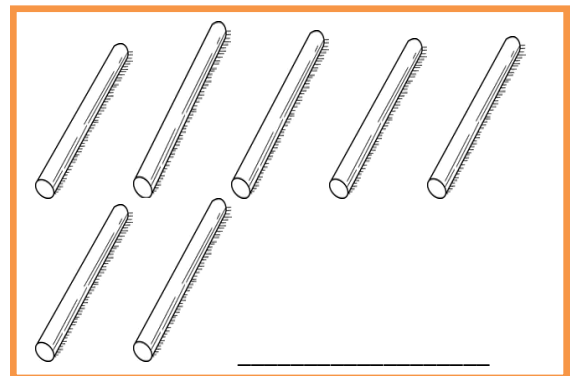
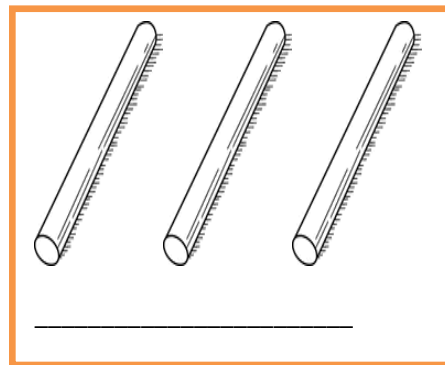
Count in 5s.



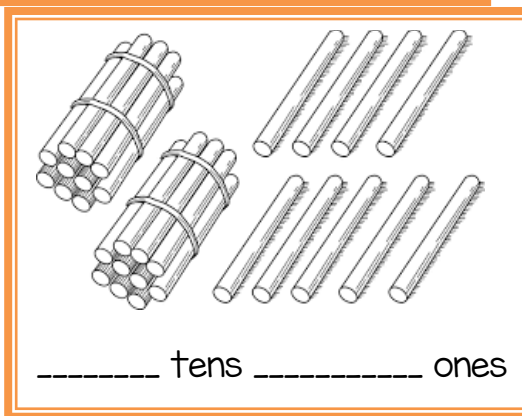
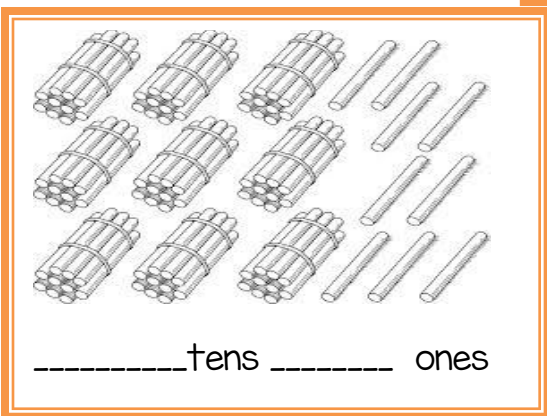
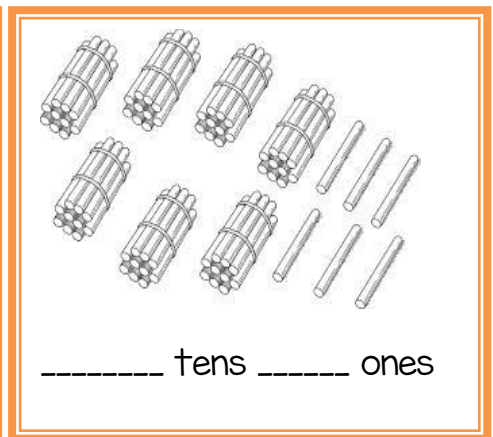
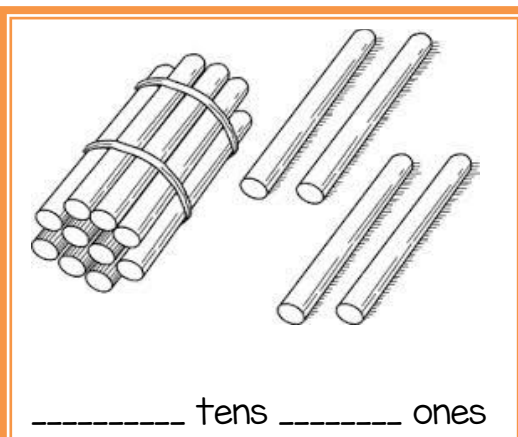
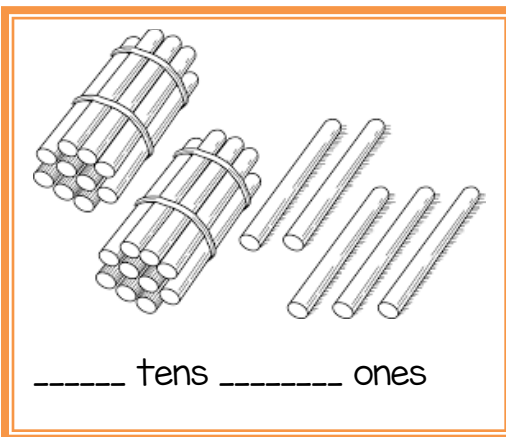
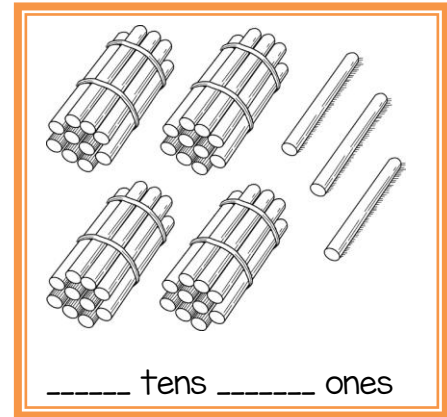
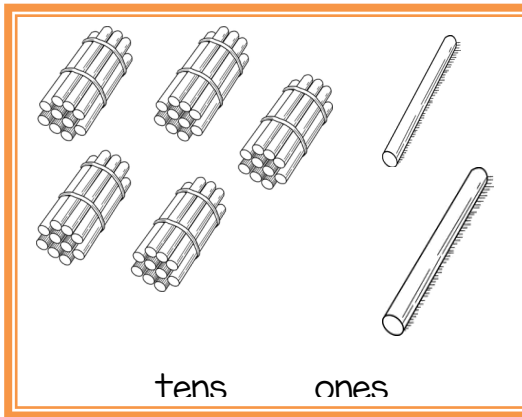
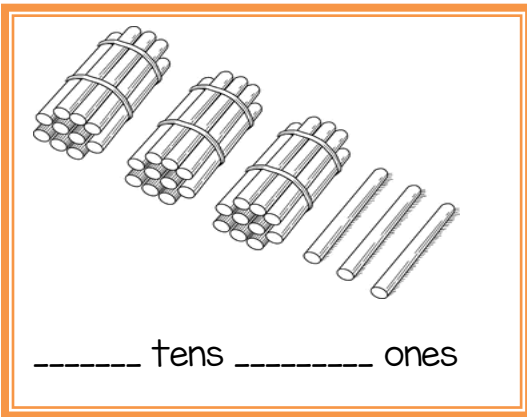
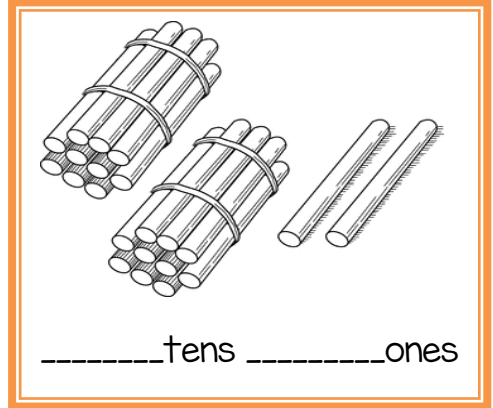
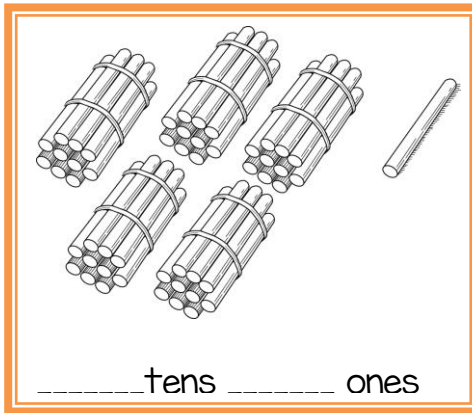
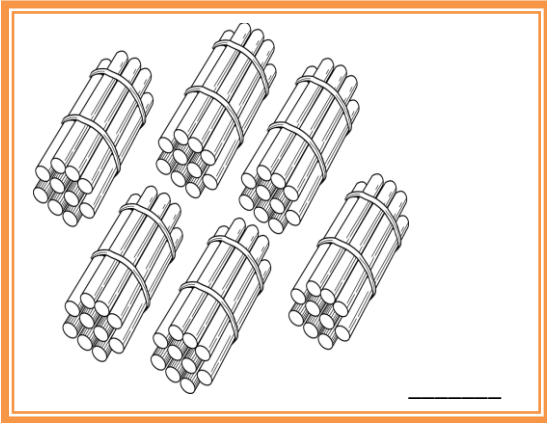
Count in tens.



Count the ones.



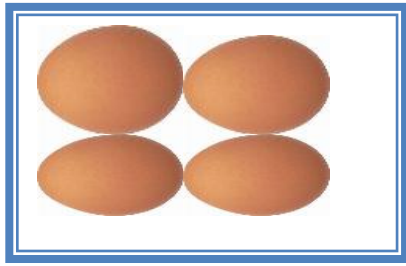
Count the tens and ones.



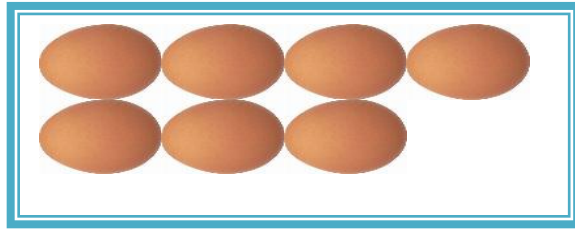
Search number words for Numbers 21 to 100

Y T N T W G D B O T O N T L G S Y D G J
D T W N R S V N W M C H W M Z E T E R T
T F R E Y F W E S E K X E G Y V F R H E
Y S V O N D N M C X L X N X O E I D M F
W H W Q F T **T W E N T Y T W O** N F N E Y
K U R P Y E Y N L B T B Y D J T U U E K
W Q Y F C V O S W F X B E R N Y D H G N
U Z O V T Y J Q E Y E V I F Y T N E W T
O U Y A T P F C N V N M G V E L H N N U
R Q V N C V R P H X E J H X N D G O P M
I U E B M P K F V C I N T H L I B F P F
N W U I V H T R E F I I I Y X M P G X B
T I A D B T W E N T Y T H R E E N Y C G
B F T Y Z O O H H B M O L Q U T M Q L B
D B E I C X J I X K O K H V P N K K K U
T T D N D S R Y T E N I N S J I X F A I
H W G M I T H J D N J W Q J B L M J S W
F M E R Y N H D J G Y X O Q D Q K B B J
X P R N F Q Y B S T A S N J H N Q X G D
K Q D T T E X T X U O T R N M U A C Z T
C F W Q F Y Y I N S F H P K N L V S Q Z
Y P M I N E S C R E E L C M P Z K I B W
D D V D V P A I E Z W Q T N O N L T E V
H A D Z G I X S X A K T Y D J R M U U N
W B F X W S F Z O A G F E S G P F H L E

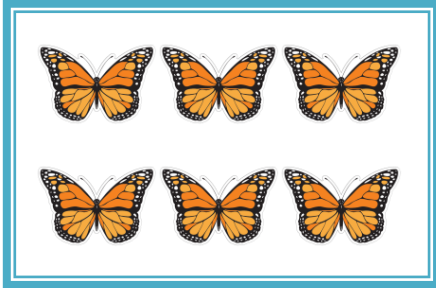
Put together.



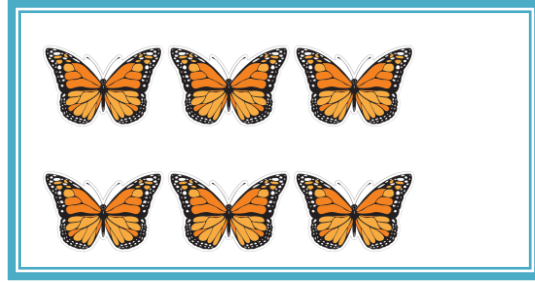
+



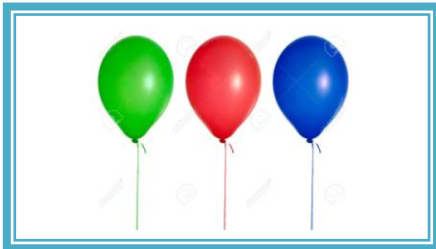
=



+



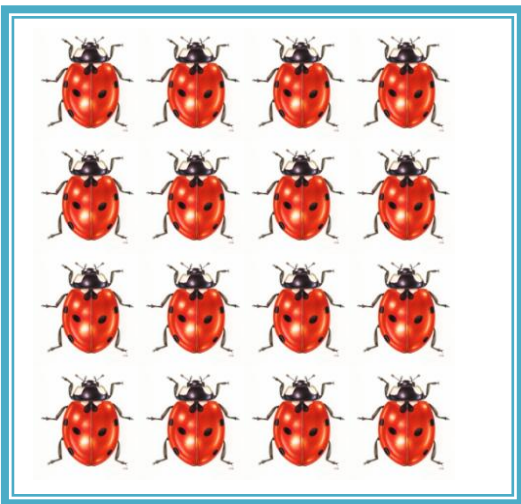
=



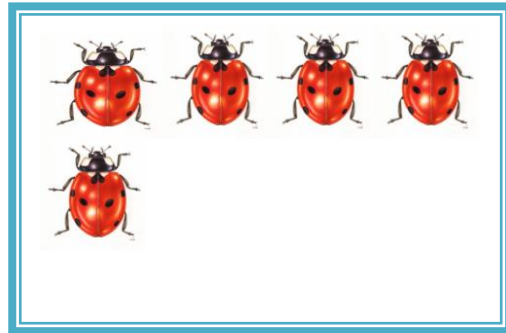
+



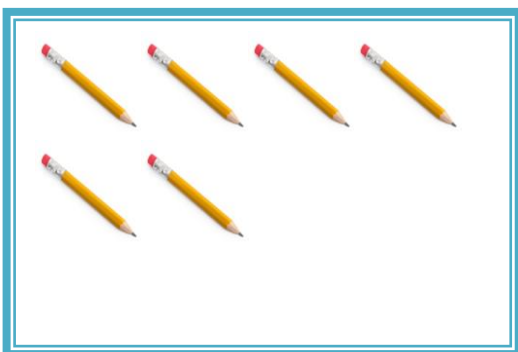
=



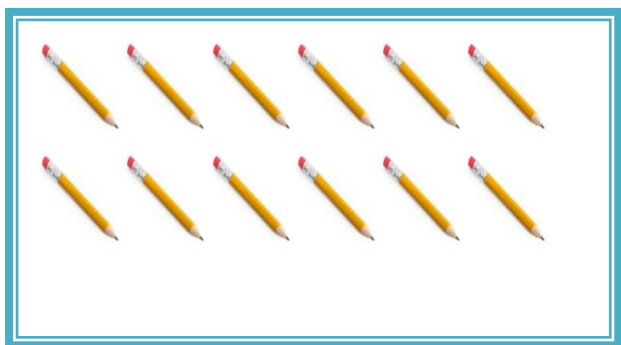
+



=



+



=

Addition

1) $7 + 2 =$

8) $5 + 8 =$

15) $4 + 5 =$

2) $3 + 4 =$

9) $2 + 8 =$

16) $5 + 4 =$

3) $7 + 6 =$

10) $6 + 6 =$

17) $3 + 9 =$

4) $3 + 6 =$

11) $9 + 3 =$

18) $4 + 8 =$

5) $2 + 1 =$

12) $5 + 5 =$

19) $7 + 4 =$

6) $2 + 2 =$

13) $6 + 9 =$

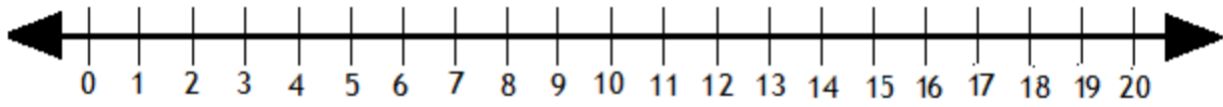
20) $8 + 3 =$

7) $5 + 7 =$

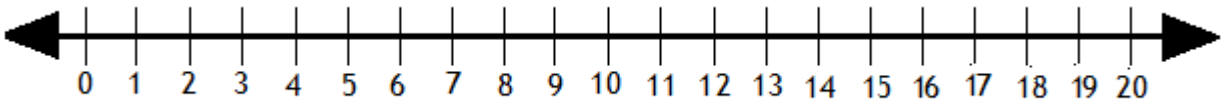
14) $8 + 6 =$

21) $8 + 7 =$

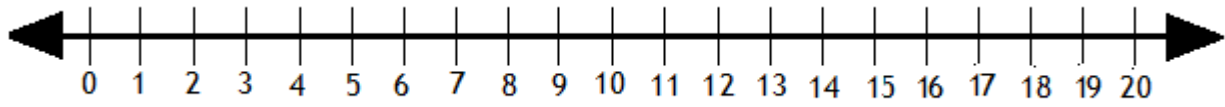
Addition using a numberline



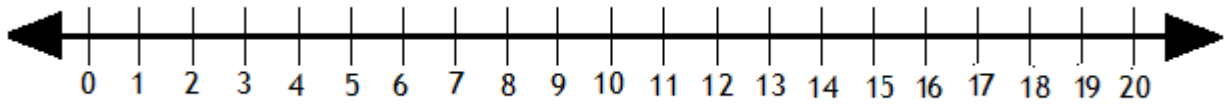
$$4 + 6 =$$



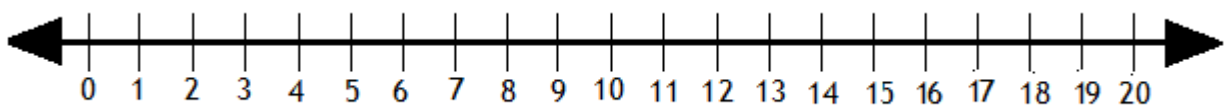
$$3 + 5 =$$



$$8 + 8 =$$



$$7 + 7 =$$



$$9 + 8 =$$

Number Line Addition and Subtraction

Name: _____

Part I. Write the number sentence for each of the following number lines.

EXAMPLE

$3 + 2 = 5$

- A. _____
- B. _____
- C. _____
- D. _____
- E. _____

Part II. Draw the number line for each of the following number sentences.

- A. $5 - 1 = 4$
- B. $4 + 5 = 9$
- C. $10 - 3 = 7$
- D. $8 - 5 = 3$
- E. $6 + 4 = 10$

Find the sum.

1) $2 + 5 + 1 =$

2) $4 + 2 + 5 =$

3) $2 + 6 + 3 =$

4) $8 + 2 + 4 =$

5) $3 + 0 + 9 =$

6) $2 + 4 + 8 =$

7) $7 + 2 + 5 =$

8) $8 + 2 + 2 =$

9) $5 + 0 + 6 =$

10) $3 + 9 + 2 =$

11) $7 + 7 + 1 =$

12) $2 + 2 + 4 =$

13) $1 + 4 + 8 =$

14) $9 + 0 + 8 =$

15) $9 + 1 + 5 =$

16) $7 + 0 + 2 =$

17) $0 + 8 + 5 =$

18) $9 + 7 + 8 =$

19) $5 + 7 + 1 =$

20) $1 + 6 + 4 =$

$5 + 3 + 2 =$

$4 + 3 + 3 =$

$6 + 3 + 1 =$

$2 + 5 + 3 =$

$7 + 2 + 1 =$

$2 + 2 + 6 =$

$8 + 1 + 1 =$

Find the sum.

$$\begin{array}{r} 1) \quad 95 \\ + \quad 3 \\ \hline \\ \hline \end{array}$$

$$\begin{array}{r} 2) \quad 88 \\ + \quad 1 \\ \hline \\ \hline \end{array}$$

$$\begin{array}{r} 3) \quad 23 \\ + \quad 6 \\ \hline \\ \hline \end{array}$$

$$\begin{array}{r} 4) \quad 14 \\ + \quad 2 \\ \hline \\ \hline \end{array}$$

$$\begin{array}{r} 5) \quad 67 \\ + \quad 2 \\ \hline \\ \hline \end{array}$$

$$\begin{array}{r} 6) \quad 12 \\ + \quad 4 \\ \hline \\ \hline \end{array}$$

$$\begin{array}{r} 7) \quad 81 \\ + \quad 2 \\ \hline \\ \hline \end{array}$$

$$\begin{array}{r} 8) \quad 59 \\ + \quad 0 \\ \hline \\ \hline \end{array}$$

$$\begin{array}{r} 9) \quad 87 \\ + \quad 2 \\ \hline \\ \hline \end{array}$$

$$\begin{array}{r} 10) \quad 30 \\ + \quad 6 \\ \hline \\ \hline \end{array}$$

$$\begin{array}{r} 11) \quad 33 \\ + \quad 6 \\ \hline \\ \hline \end{array}$$

$$\begin{array}{r} 12) \quad 60 \\ + \quad 2 \\ \hline \\ \hline \end{array}$$

$$\begin{array}{r} 13) \quad 21 \\ + \quad 8 \\ \hline \\ \hline \end{array}$$

$$\begin{array}{r} 14) \quad 72 \\ + \quad 6 \\ \hline \\ \hline \end{array}$$

$$\begin{array}{r} 15) \quad 16 \\ + \quad 2 \\ \hline \\ \hline \end{array}$$

$$\begin{array}{r} 16) \quad 17 \\ + \quad 2 \\ \hline \\ \hline \end{array}$$

$$\begin{array}{r} 17) \quad 16 \\ + \quad 5 \\ \hline \\ \hline \end{array}$$

$$\begin{array}{r} 18) \quad 72 \\ + \quad 7 \\ \hline \\ \hline \end{array}$$

$$\begin{array}{r} 19) \quad 24 \\ + \quad 1 \\ \hline \\ \hline \end{array}$$

$$\begin{array}{r} 20) \quad 63 \\ + \quad 2 \\ \hline \\ \hline \end{array}$$

$$\begin{array}{r} 10 \\ + 10 \\ \hline \end{array}$$

$$\begin{array}{r} 10 \\ + 40 \\ \hline \end{array}$$

$$\begin{array}{r} 10 \\ + 80 \\ \hline \end{array}$$

$$\begin{array}{r} 10 \\ + 50 \\ \hline \end{array}$$

$$\begin{array}{r} 20 \\ + 20 \\ \hline \end{array}$$

$$\begin{array}{r} 50 \\ + 30 \\ \hline \end{array}$$

$$\begin{array}{r} 60 \\ + 10 \\ \hline \end{array}$$

$$\begin{array}{r} 80 \\ + 10 \\ \hline \end{array}$$

$$20 + 20 =$$

$$60 + 30 =$$

$$30 + 20 =$$

$$70 + 10 =$$

$$40 + 20 =$$

$$50 + 10 =$$